



DE-ABM6 User Manual

Quio GmbH

Document Version: 1.0

Last Revised Date: June., 2010

Copyright © 2009 DUALi Inc. All rights reserved. You are strictly prohibited to copy, disclose, distribute, or use this document in part or as a whole for any purposes other than those for which this document is disclosed. This document is copyrighted and contains confidential information and other intellectual property rights of DUALi Inc. Any unauthorized use, copy, disclosure or distribution constitutes infringement of DUALi's intellectual property rights.

DUALi Inc. reserves the right to make changes to its applications or services or to discontinue any application or service at any time without notice. DUALi provides customer assistance in various technical areas, but does not have full access to data concerning the use and applications of customer's products.

Therefore, DUALi assumes no liability and is not responsible for customer applications or software design or performance relating to systems or applications incorporating DUALi products. In addition, DUALi assumes no liability and is not responsible for infringement of patents and/or any other intellectual or industrial property rights of third parties, which may result from assistance provided by DUALi.

Composition of the information in this manual has been done to the best of our knowledge. DUALi does not guarantee the correctness and completeness of the details given in this manual and may not be held liable for damages ensuing from incorrect or incomplete information. Since, despite all our efforts, errors may not be completely avoided, we are always grateful for your useful tips.

We have our development center in South Korea to provide technical support. For any technical assistance can contact our technical support team as below;

Tel: 0202 260 464-0

e-mail : kontakt1@quio.de

Revision History

- 2010.06.03(Ver. 1.0) : First Release

Contents

1	SUMMARY.....	5
2	STRUCTURE.....	5
2.1	The Structure of equipment.....	5
2.2	The block diagram of main Module, sub board(Epass12) and antenna	6
2.3	Description of main Module.....	6
3	THE DESCRIPTION OF SURFACE.....	7
3.1	The picture of device surface	7
3.2	The size of equipment surface	7
4	CONNECTOR PIN ASSIGNMENT	8
4.1	RS-232 Connector.....	8
5	The DESCRIPTION OF ELECTRICITY	8
5.1	The Description of power	8
5.2	The using electric current.....	8
5.3	The Description of USB communication	8
6	THE DESCRIPTION OF FUNCTION	8
6.1	Protocol Specification	8
6.2	Control Code Specification.....	8
6.3	Download	8
7	PROPERTY	8
7.1	Environment to use	8
7.2	Environment to keep	9
8	WARNING AND NOTICE	9

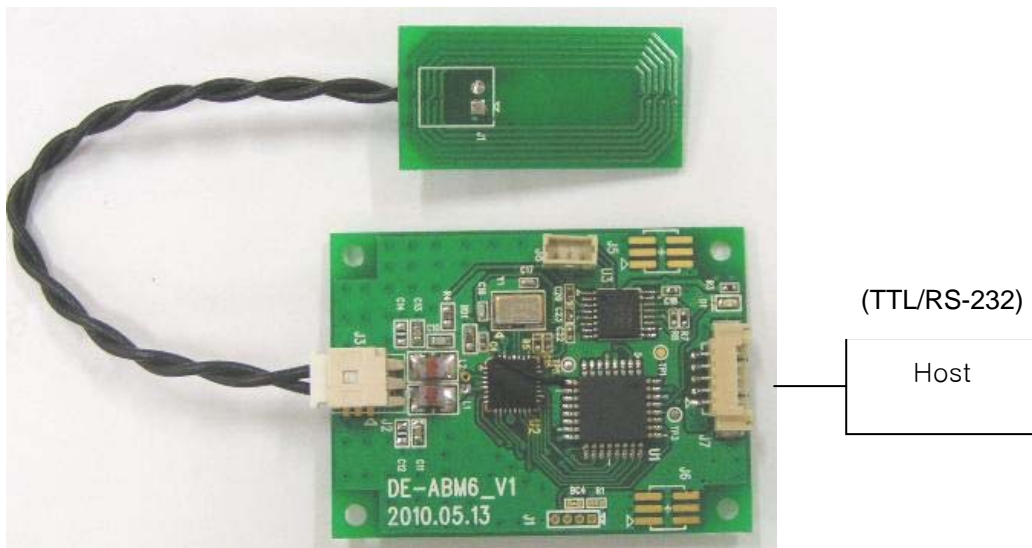
1 SUMMARY

Host Interface	RS-232 or TTL, Default 115200bps(changeable)
Host Communication	UCRM Series protocol
CPU	STM8S105K6(32Kbytes Flash, 2Kbytes SRAM, up to 16MHz)
Power Voltage	DC 5V
Current	MAX 200mA depend on antenna size
Connection	5pin * 1.25mm
Size	43.5(W) * 32(L) * 8(H)mm
Antenna Matching	Direct matching
Certification	CE, Fcc, RoHS compliance
Operating Temperature	-20~60°C

2 STRUCTURE

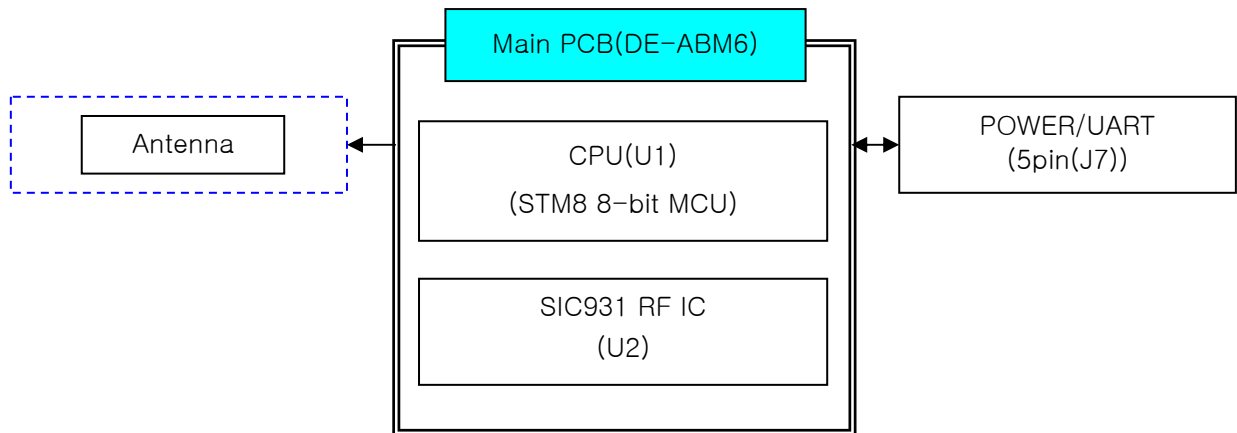
2.1 The Structure of equipment

- DE-ABM6 (RF module) itself contains all circuits include antenna



(DE-ABM6)

2.2 The block diagram of main Module, sub board(Epass12) and antenna



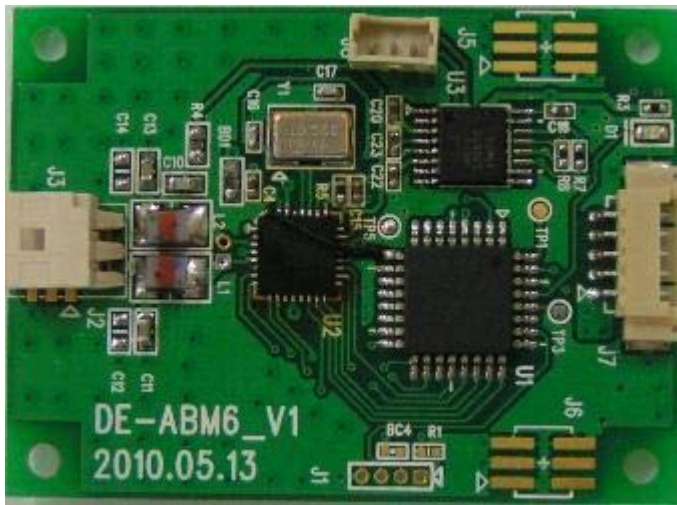
2.3 Description of main Module

CPU : 8bit RISC CPU, It is stm8s which is ST stm8 8-bit MCU with Flash, SRAM three 16-bit timers. This CPU has 32Kbyte Flash memory, 2Kbyte SRAM, 1 UART interface.

- SIC931 RF IC : This SIC IC can control RF card like MIFARE card, type A/B card.
- RS-232 Driver : It's a Communication part for RS-232 communication.
- Status LED : It has 2 LEDs to display status of communication and RF card status.

3 THE DESCRIPTION OF SURFACE

3.1 The picture of device surface



There are no parts at bottom. But there is a space for optional LEDs.

3.2 The size of equipment surface

- DE-ABM6 : 43.5(W) * 32(L) * 8(H)mm

4 CONNECTOR PIN ASSIGNMENT

4.1 RS-232 Connector

[J7] (5Pin 1.25mm) -> Serial Port of controlling device

Pin No.	Description
1	VCC(DC5V)
2	RxD(RS-232 or TTL)
3	TxD(RS-232 or TTL)
4	GND
5	GND

Communication between RS-232 or TTL should be decided before make order.

Its default communication methods are TTL

5 The DESCRIPTION OF ELECTRICITY

5.1 The Description of power

- Input power : 5V

5.2 The using electric current

- Normal 5V, 150 mA under
- MAX 5V, 200 mA under

5.3 The Description of USB communication

- USB V2.0 FULL SPEED (12Mbps)

6 THE DESCRIPTION OF FUNCTION

6.1 Protocol Specification

Refer to protocol specification for detail function.(provide on request)

6.2 Control Code Specification

Refer to control code specification for detail function.(provide on request)

6.3 Download

Refer download manual.(provide on request)

7 PROPERTY

7.1 Environment to use

- Temperature to use : -20 ~ 60 °C
- Humidity to use : 30 ~ 90 % (relative humidity)

7.2 Environment to keep

- Temperature to keep : -20 ~ 80 °C
- Humidity to use : 30 ~ 90 % (relative humidity)

8 WARNING AND NOTICE

- For indoor use only.
- This product is affected by an element like metal or Magnetism. So one has to take precautions.
- This device is not waterproof.

Warranty & Service

▸ Warranty and Repair service

- DUALi Inc. warrants to the original consumer or other end user that this product, DE-920, is free from defects in materials and workmanship for a period of 1 year from the date of purchase.

※ **Note** Warranty/non-warranty repair fees do not include any shipping charges.

▸ The damages(defaults) prescribed below are NOT to be covered by warranty.

- User's misuse of part/component.
- Fault by the unqualified user's own intention of repairs.
- Product's inspection requirement.
- Adding certain functions or extension of system.
- Fault by User's misuse against the product's manual.

***Please contact our service team for the technical/ sales supports.**

Quio GmbH
Unterdahl 9c, 42349 Wuppertal

Tel : +49 202 260 464-0

Fax : +49 202 260 464-28

E-mail : kontakt1@quio.de

Web-site : <http://www.quio.de>